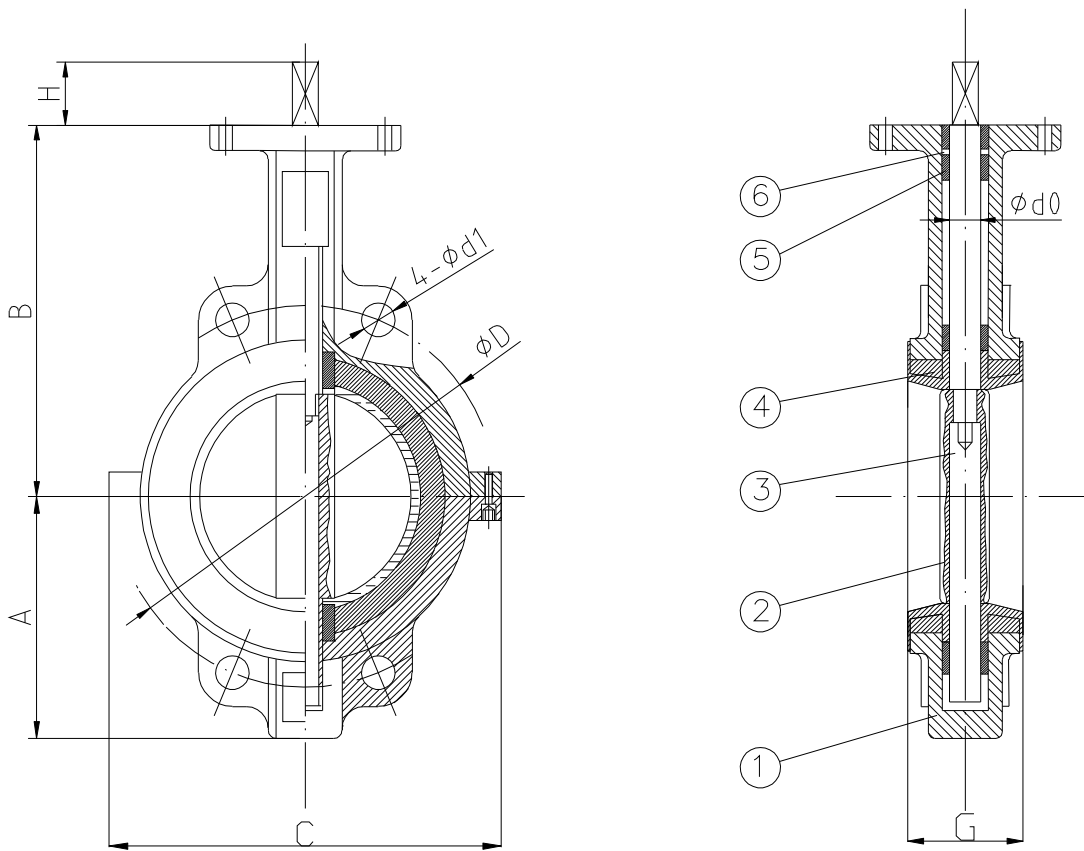


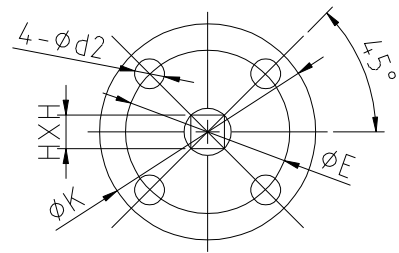
Entirely Four Fluorine Butterfly Valve(DN50-300)



TOP FLANGE

Material of Main Parts

6	O-RING	EPDM/Fluorine rubber
5	BUSHING	P.T.F.E./Bronze
4	SEAT	PTFE/NBR
3	STEM	Cast iron/Ductile iron/Cast steel/Stainless steel
2	DISC	Cast iron/Ductile iron/Cast steel/Stainless steel+EPDM
1	BODY	Cast iron/Ductile iron/Cast steel/Stainless steel
NO.	PARTS NAME	MATERIAL



Outline Dimensions&Connection Dimensions(mm)&Weight(Kg)

2"	77	135	130	125	11X11	42	4-18	90	77	57.15	4-6.7	3.2
2.5"	91	138	150	145	11X11	44.7	4-18	90	77	57.15	4-6.7	5.8
3"	95	138	164	160	11X11	45.2	4-18	90	77	57.15	4-6.7	6.5
4"	121	149	188	180	11X11	52.1	4-18	45	92	69.85	4-10.3	11
5"	125	173	220	210	14X14	54.4	4-18	45	92	69.85	4-10.3	13
6"	150	187	252	240	14X14	55.8	4-22	45	92	69.85	4-10.3	16
8"	182	225	305	295	17X17	60.6	4-22	45	115	88.9	4-14.3	27
10"	226	255	370	350	22X22	65.6	4-22	30	115	88.9	4-14.3	35
12"	260	295	430	400	22X22	76.9	4-22	30	140	107.95	4-14.3	51
SIZE	A	B	C	D	HXH	G	4-φd1	&°	K	E	4-φd2	Weight(KG)