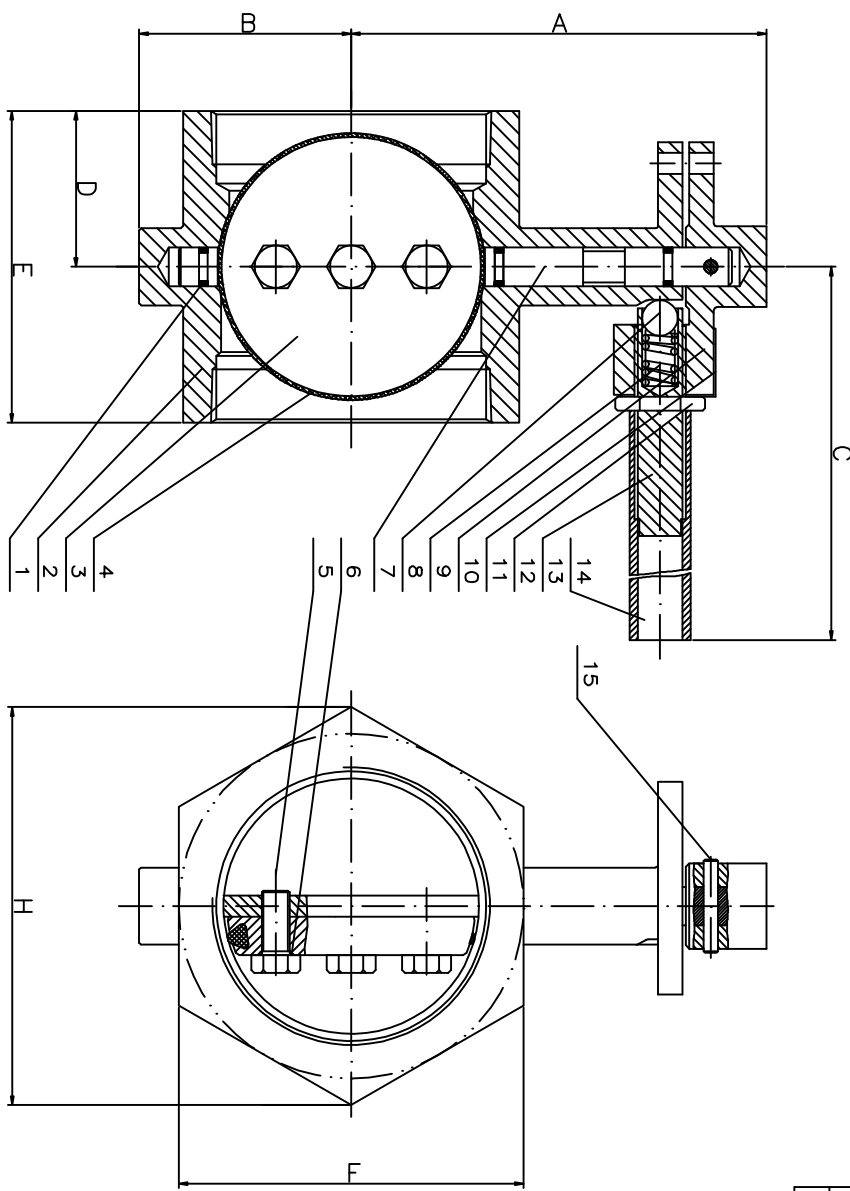


規格 SIZE	公称压力 NOMINAL PRESSURE (PSI)	试验压力 SHELL TESTING PRESSURE (PSI)	设计压力 DESIGN TESTING PRESSURE (PSI)	试验介质 TESTING MEDIUMS	工作介质 WORKING MEDIUMS	工作温度 WORKING TEMPERATURE
2'-6"	200	300	220	水 WATER 气 GAS	本機 WATER OIL etc.	-23°C-93°C



規格 SIZE	A	B	C	D	E	F	H	重量(Kg) WEIGHT
2"	105.41 (4.15)	57.15 (2.25)	203.2 (8.00)	53.98 (2.13)	107.95 (4.25)	76.2 (3.00)	87.88 (3.46)	4.8
3"	152.91 (6.02)	69.85 (2.75)	203.2 (8.00)	61.72 (2.43)	123.70 (4.87)	103.12 (4.06)	119.13 (4.69)	7.1
4"	161.04 (6.34)	93.73 (3.69)	203.2 (8.00)	65.02 (2.56)	130.05 (5.12)	134.87 (5.31)	155.70 (6.13)	10.1
6"	231.24 (9.10)	120.65 (4.75)	330.2 (13.00)	88.9 (3.50)	177.8 (7.00)	196.85 (7.75)	277.33 (10.92)	21.8

NO	代号	Code Name	名称	材料	Material	Note
1			阀体	HT200		
2			阀盖	HT200		
3			阀瓣	BRASS		
4			阀瓣O型圈	NBR		
5			阀盖O型圈	SS416		
6			O型圈	NBR		
7			阀杆	SS416		
8			阀杆球头	CARBON STEEL		
9			弹簧	SS304		
10			手柄	DUCTILE IRON		
11			手柄名称牌	L6(Aluminum)		
12			手柄螺母	CARBON STEEL		
13			手柄衬套	DUCTILE IRON		
14			手柄延伸	DUCTILE IRON		
15			圆锥销	SS410		

DATE	REV.	DATE	REV.
	0	02.6.10	

ASSEMBLE

2' ~ 6'  
2200-SE HALE 瓣  
HALE Series 2200-SE  
Body Style Butterfly Valves

H2200-SE