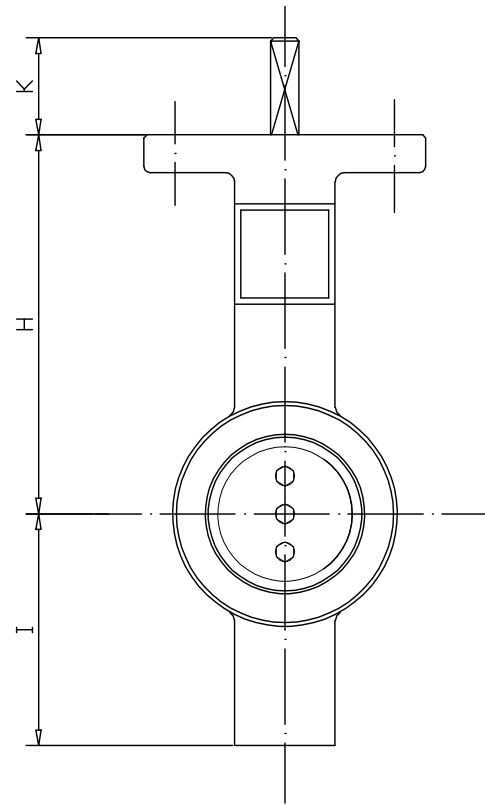
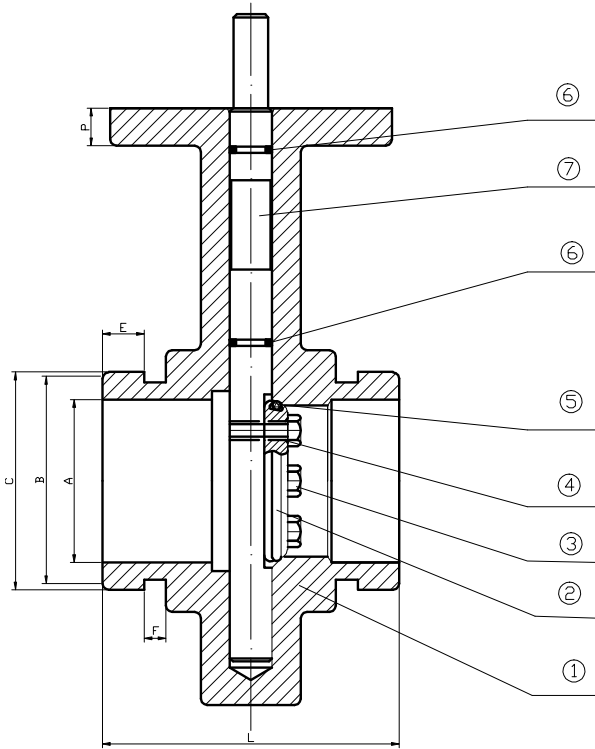
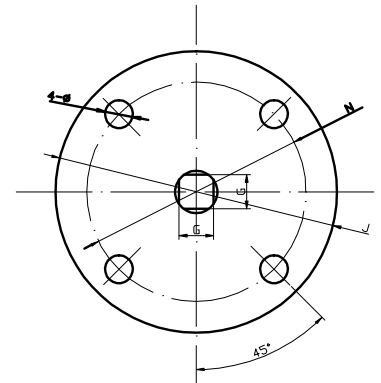


Grooved End Butterfly Valve (Hale-Disc)(DN50-200)



Material List

ITEM	PARTSNAME	MATERIAIS
1	BODY	Cast iron/Ductile iron/Stainless steel/Carbon steel
2	DISC	Al-Bronze/CF8M/WCB/Ductile iron
3	BOLT	SS416/SS304
4	O-RING	EPDM/Buna/Hypalon/Viton/Neoprene/NBR
5	O-RING	EPDM/Buna/Hypalon/Viton/Neoprene/NBR
6	O-RING	EPDM/Buna/Hypalon/Viton/Neoprene/NBR
7	STEM	Cr13/SS416/SS316/Carbon steel



Outline Dimensions & Connection Dimensions(mm)

SIDE	A	B	C	E	F	G	H	I	J	K	L	N	4-∅	P
2"	52	57.15	60.3	15.88	8.74	11	119	55	90	30	84.6	70	9	12
2.5"	65.5	72.26	76.1	15.88	8.74	11	125.5	62.5	90	30	97.8	70	9	12
3"	80	84.94	88.9	15.88	8.74	14	131.5	75	90	30	97.8	70	9	12
4"	101	110.08	114.3	15.88	8.74	14	151	90	90	30	111.3	70	9	14
5"	127	135.48	139.7	15.88	8.74	17	171.5	108	90	30	134	70	9	14
6"	152	160.78	168.3	15.88	8.74	17	183	118	90	30	134	70	9	14
8"	200	211.6	216.3	19.05	11.91	22	205	148	125	41	148	102	11	18